

Qty. Description

1 UPS 25-80 N 180



Note! Product picture may differ from actual product

Product No.: [95906439](#)

The pump is of the canned rotor type, i.e. pump and motor form an integral unit without shaft seal and with only two gaskets for sealing. The bearings are lubricated by the pumped liquid. The pump has 3-step speed selector.

The pump is characterized by:

- * Ceramic shaft and radial bearings.
- * Carbon axial bearing.
- * Stainless steel rotor can and bearing plate.
- * Corrosion-resistant impeller, Composite, PES/PP.
- * Stainless steel pump housing.

The motor is a 1-phase motor.
No additional motor protection is required.

Liquid:

Pumped liquid: Water
Liquid temperature range: -25 .. 110 °C
Liquid temperature during operation: 60 °C
Density: 983.2 kg/m³

Technical:

TF class: 110
Approvals on nameplate: CE,EAC,WEEE

Materials:

Pump housing: Stainless steel
DIN W.-Nr. 1.4301
AISI 304
Impeller: Composite, PES/PP

Installation:

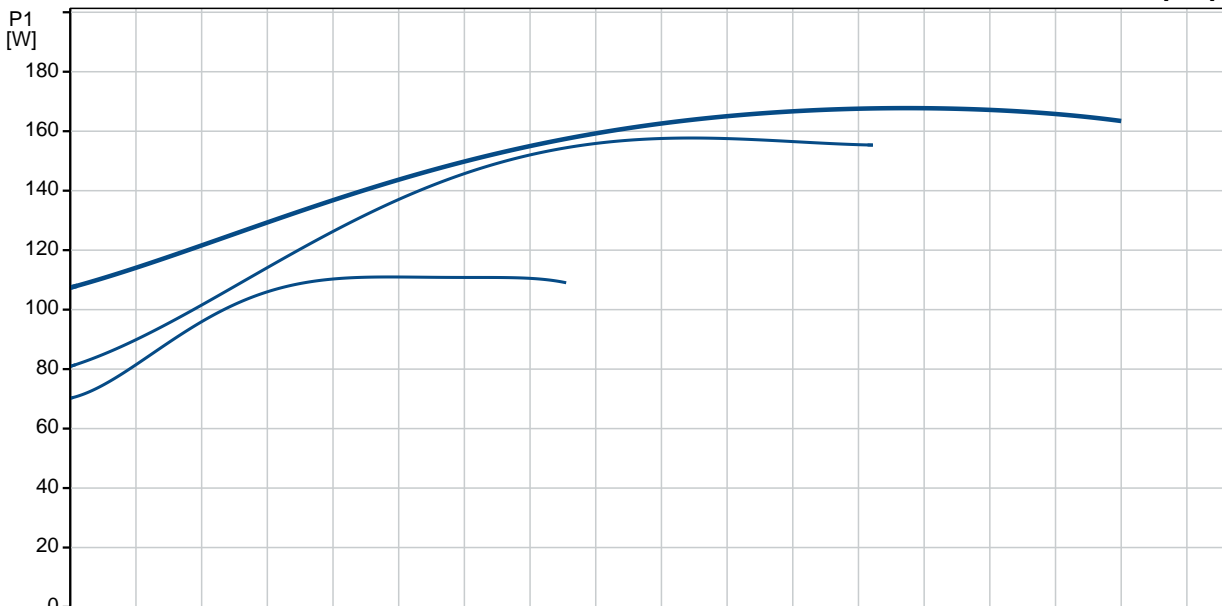
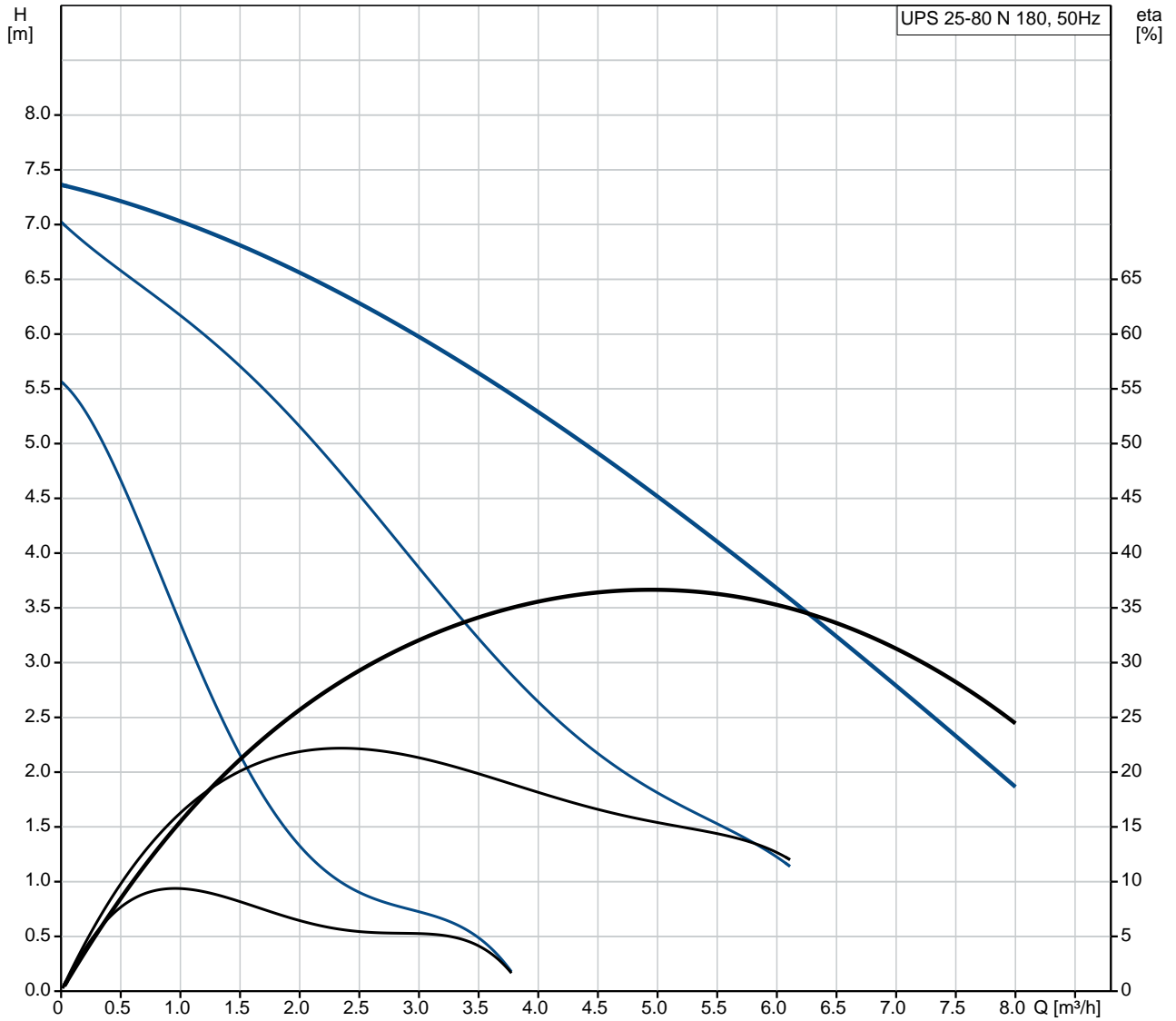
Amb. max at 80 dgr C liquid: 40 °C
Maximum operating pressure: 10 bar
Pipe connection: G 1 1/2
Pressure rating: PN 10
Port-to-port length: 180 mm

Electrical data:

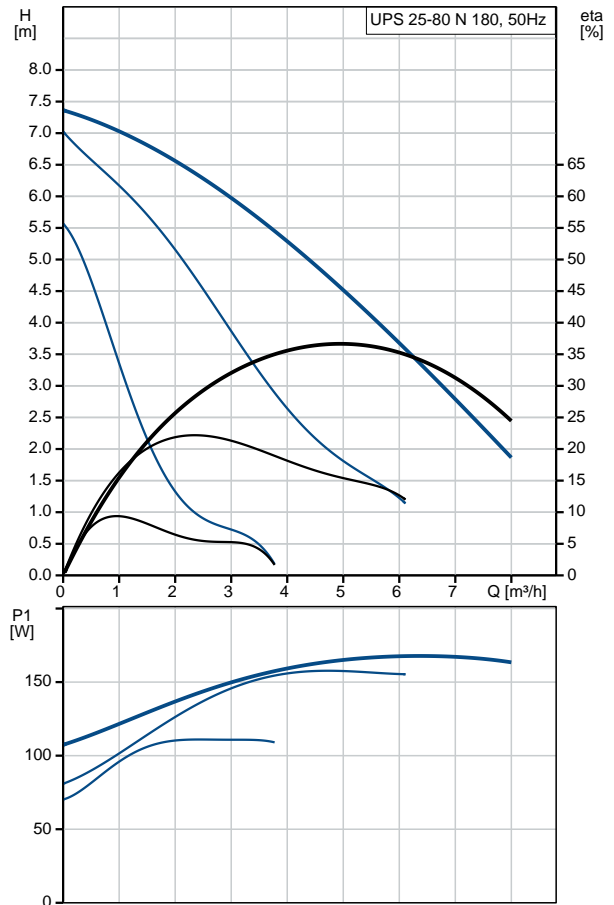
Power input in speed 1: 110 W
Power input in speed 2: 155 W
Max. power input: 165 W
Mains frequency: 50 Hz

Qty.	Description
	<p>Rated voltage: 1 x 230 V Current in speed 1: 0.5 A Current in speed 2: 0.7 A Current in speed 3: 0.7 A Capacitor size - run: 4 µF Enclosure class (IEC 34-5): X2D Insulation class (IEC 85): F</p> <p>Others: Net weight: 4.4 kg Gross weight: 5.2 kg Shipping volume: 0.008 m³ Danish VVS No.: 380633100 Swedish RSK No.: 5803099 Finnish LVI No.: 4615614 Norwegian NRF no.: 9042217</p>

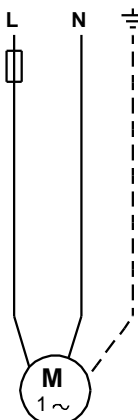
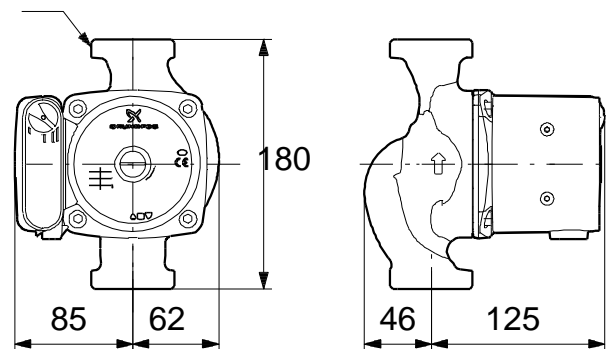
95906439 UPS 25-80 N 180 50 Hz



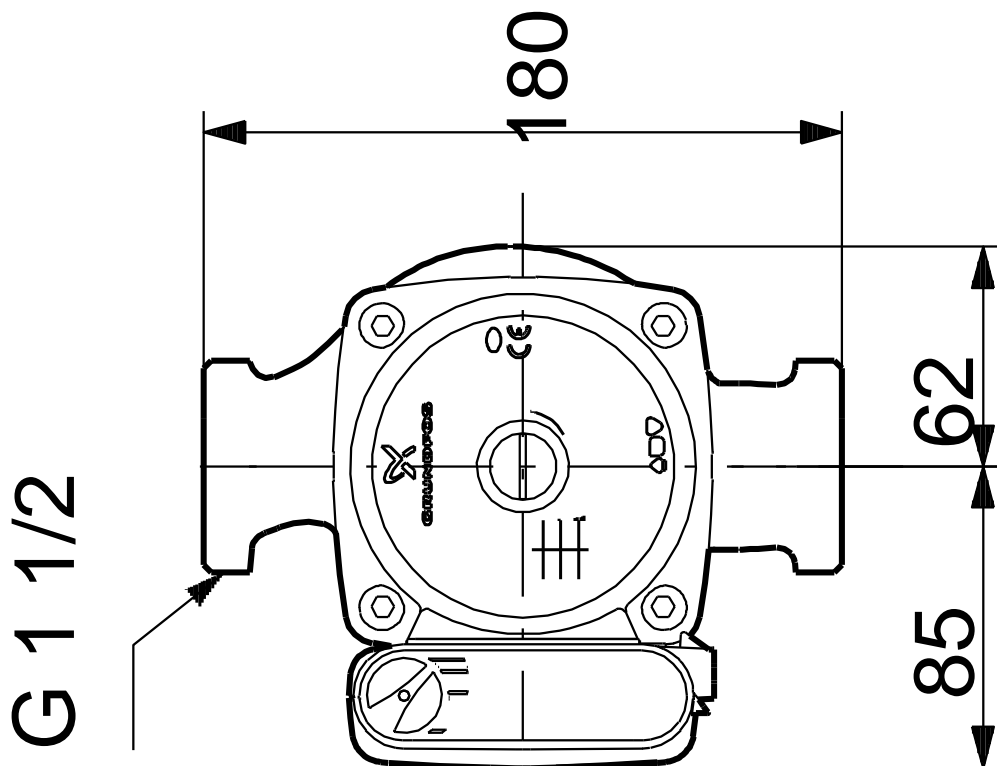
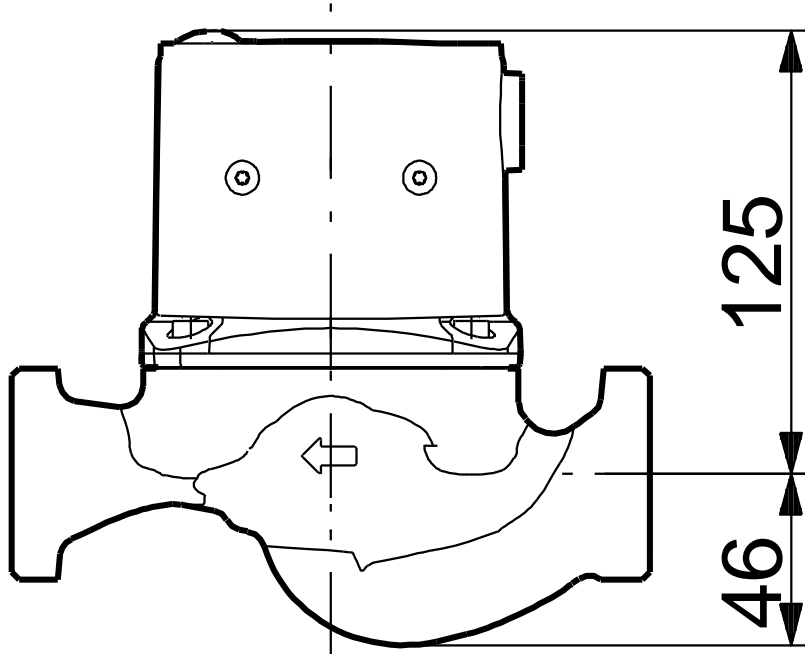
Description	Value
General information:	
Product name:	UPS 25-80 N 180
Product No:	95906439
EAN number:	5700310346588
Technical:	
Speed no:	3
Head max:	80 dm
TF class:	110
Approvals on nameplate:	CE,EAC,WEEE
Materials:	
Pump housing:	Stainless steel DIN W.-Nr. 1.4301 AISI 304
Impeller:	Composite, PES/PP
Installation:	
Amb. max at 80 dgr C liquid:	40 °C
Maximum operating pressure:	10 bar
Pipe connection:	G 1 1/2
Pressure rating:	PN 10
Port-to-port length:	180 mm
Liquid:	
Pumped liquid:	Water
Liquid temperature range:	-25 .. 110 °C
Liquid temperature during operation:	60 °C
Density:	983.2 kg/m ³
Electrical data:	
Power input in speed 1:	110 W
Power input in speed 2:	155 W
Max. power input:	165 W
Mains frequency:	50 Hz
Rated voltage:	1 x 230 V
Current in speed 1:	0.5 A
Current in speed 2:	0.7 A
Current in speed 3:	0.7 A
Capacitor size - run:	4 µF
Enclosure class (IEC 34-5):	X2D
Insulation class (IEC 85):	F
Motor protec:	CONTACT
Thermal protec:	internal
Controls:	
Pos term box:	9H
Others:	
Net weight:	4.4 kg
Gross weight:	5.2 kg
Shipping volume:	0.008 m ³
Danish VVS No.:	380633100
Swedish RSK No.:	5803099
Finnish LVI No.:	4615614
Norwegian NRF no.:	9042217



G 1 1/2



95906439 UPS 25-80 N 180 50 Hz



Note! All units are in [mm] unless others are stated.
Disclaimer: This simplified dimensional drawing does not show all details.

95906439 UPS 25-80 N 180 50 Hz



Note! All units are in [mm] unless others are stated.