

**Qty. Description**

1 UPS 32-80 180



Note! Product picture may differ from actual product

Product No.: [95906442](#)

The pump is of the canned rotor type, i.e. pump and motor form an integral unit without shaft seal and with only two gaskets for sealing. The bearings are lubricated by the pumped liquid. The pump has 3-step speed selector.

The pump is characterized by:

- \* Ceramic shaft and radial bearings.
- \* Carbon axial bearing.
- \* Stainless steel rotor can and bearing plate.
- \* Corrosion-resistant impeller, Composite, PES/PP.
- \* Cast iron pump housing.

The motor is a 1-phase motor.  
No additional motor protection is required.

**Liquid:**

Pumped liquid: Water  
Liquid temperature range: -25 .. 110 °C  
Liquid temperature during operation: 60 °C  
Density: 983.2 kg/m<sup>3</sup>

**Technical:**

TF class: 110  
Approvals on nameplate: AAA,EAC

**Materials:**

Pump housing: Cast iron  
EN-JL1030  
ASTM 30 B  
Impeller: Composite, PES/PP

**Installation:**

Amb. max at 80 dgr C liquid: 40 °C  
Maximum operating pressure: 10 bar  
Pipe connection: G 2  
Pressure rating: PN 10  
Port-to-port length: 180 mm

**Electrical data:**

Power input in speed 1: 135 W  
Power input in speed 2: 200 W  
Max. power input: 220 W  
Mains frequency: 50 Hz



Company name:

Created by:

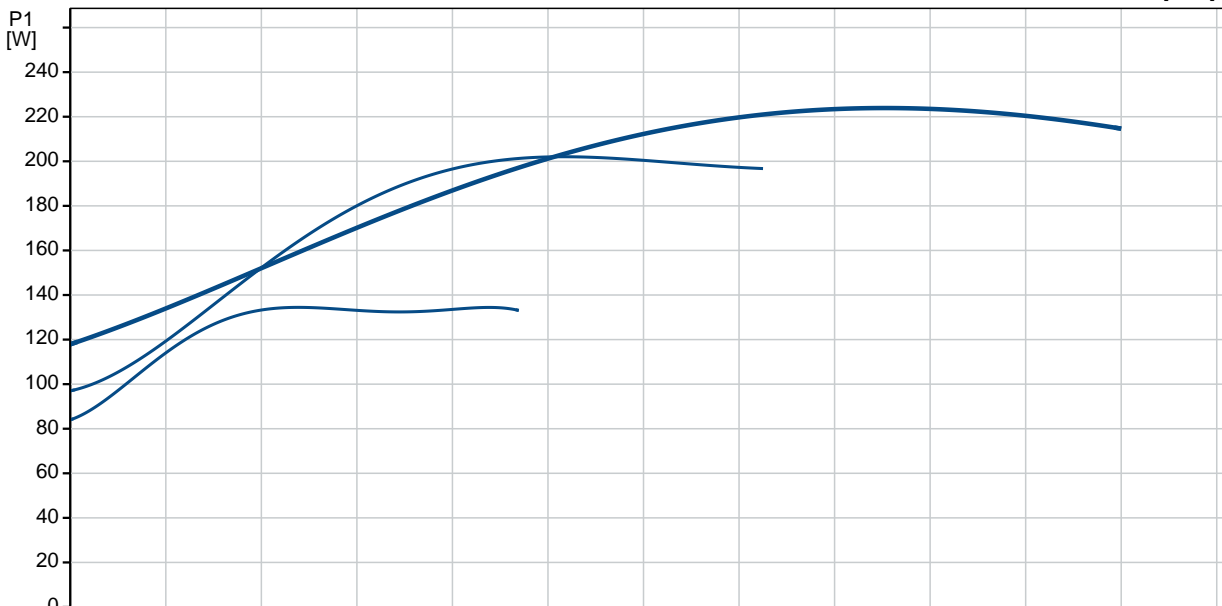
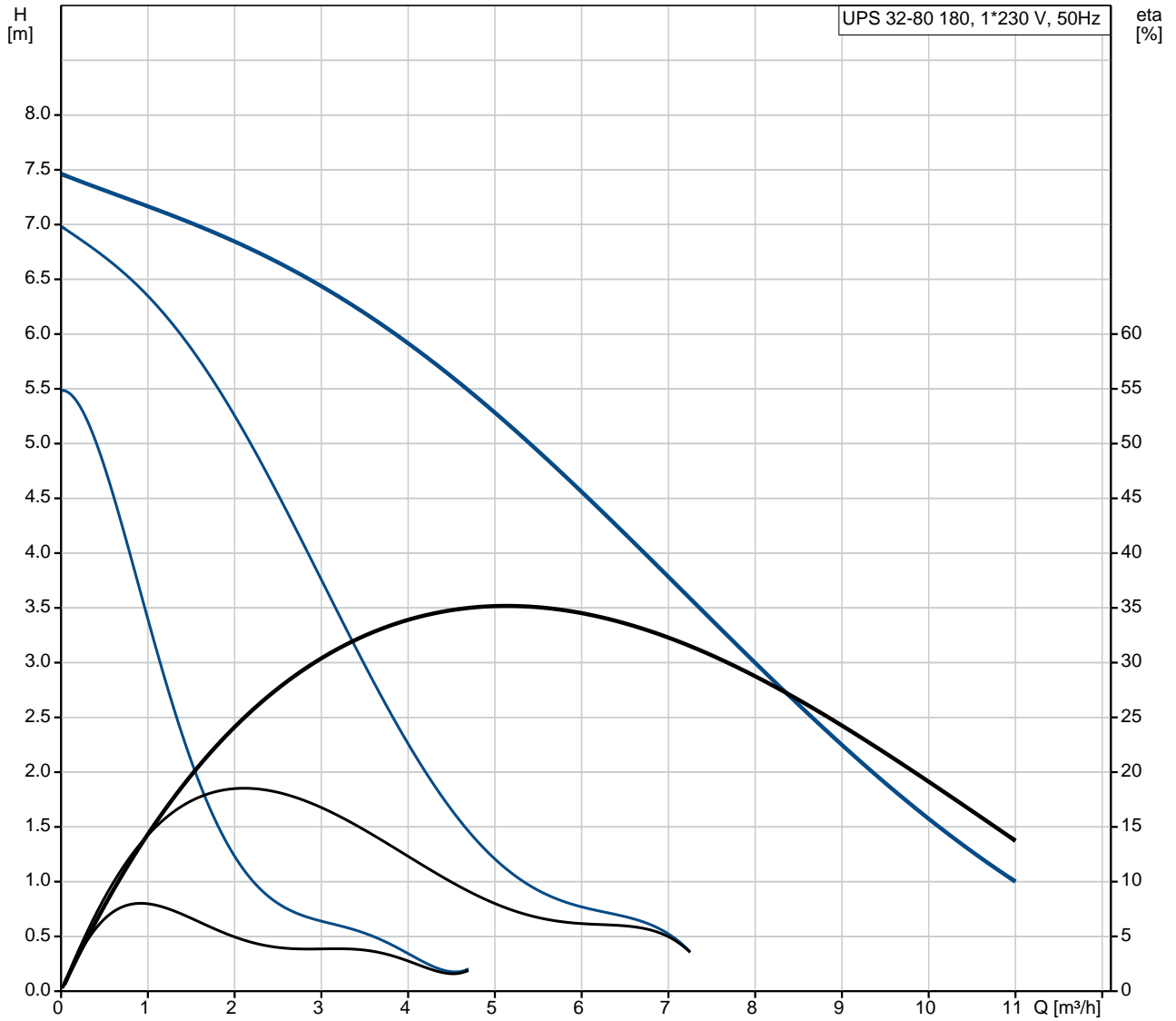
Phone:

Date:

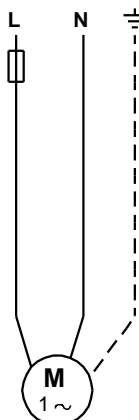
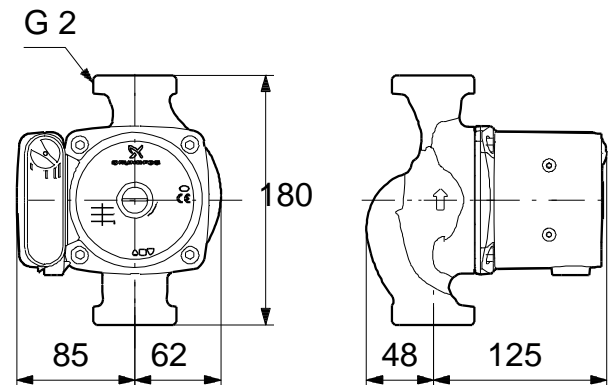
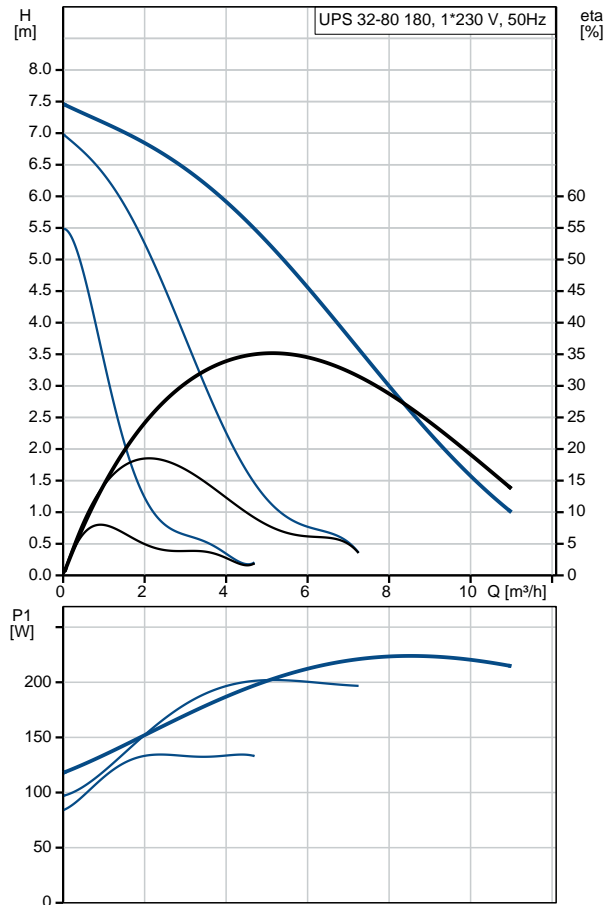
15/02/2019

Qty.	Description
	<p>Rated voltage: 1 x 230 V Current in speed 1: 0.6 A Current in speed 2: 0.9 A Current in speed 3: 0.98 A Capacitor size - run: 4 <math>\mu</math>F Enclosure class (IEC 34-5): X2D Insulation class (IEC 85): F</p> <p><b>Others:</b> Net weight: 4.6 kg Gross weight: 5 kg Shipping volume: 0.008 m<sup>3</sup></p>

## 95906442 UPS 32-80 180 50 Hz



Description	Value
<b>General information:</b>	
Product name:	UPS 32-80 180
Product No:	95906442
EAN number:	5700310346625
<b>Technical:</b>	
Speed no:	3
Head max:	80 dm
TF class:	110
Approvals on nameplate:	AAA,EAC
<b>Materials:</b>	
Pump housing:	Cast iron
	EN-JL1030
	ASTM 30 B
Impeller:	Composite, PES/PP
<b>Installation:</b>	
Amb. max at 80 dgr C liquid:	40 °C
Maximum operating pressure:	10 bar
Pipe connection:	G 2
Pressure rating:	PN 10
Port-to-port length:	180 mm
<b>Liquid:</b>	
Pumped liquid:	Water
Liquid temperature range:	-25 .. 110 °C
Liquid temperature during operation:	60 °C
Density:	983.2 kg/m <sup>3</sup>
<b>Electrical data:</b>	
Power input in speed 1:	135 W
Power input in speed 2:	200 W
Max. power input:	220 W
Mains frequency:	50 Hz
Rated voltage:	1 x 230 V
Current in speed 1:	0.6 A
Current in speed 2:	0.9 A
Current in speed 3:	0.98 A
Capacitor size - run:	4 µF
Enclosure class (IEC 34-5):	X2D
Insulation class (IEC 85):	F
Motor protec:	CONTACT
Thermal protec:	internal
<b>Controls:</b>	
Pos term box:	9H
<b>Others:</b>	
Net weight:	4.6 kg
Gross weight:	5 kg
Shipping volume:	0.008 m <sup>3</sup>





Company name:

Created by:

Phone:

Date:

15/02/2019

---

**95906442 UPS 32-80 180 50 Hz**