


Position	Qty.	Description
	1	<p>UPS 20-60 N 150</p>  <p style="text-align: center;">Note! Product picture may differ from actual product</p> <p>Product No.: 96913096</p> <p>The pump is of the canned rotor type, i.e. pump and motor form an integral unit without shaft seal and with only two gaskets for sealing. The bearings are lubricated by the pumped liquid. The pump has 3-step speed selector. The pump is characterized by:</p> <ul style="list-style-type: none"> * Ceramic shaft and radial bearings. * Carbon axial bearing. * Stainless steel rotor can and bearing plate. * Corrosion-resistant impeller, Composite, PES/PP. * Stainless steel pump housing. <p>The motor is a 1-phase motor. No additional motor protection is required.</p> <p>Liquid:</p> <p>Pumped liquid: Water Liquid temperature range: 2 .. 110 °C Liquid temperature during operation: 60 °C Density: 983.2 kg/m³</p> <p>Technical:</p> <p>TF class: 110 Approvals on nameplate: CE,EAC</p> <p>Materials:</p> <p>Pump housing: Stainless steel DIN W.-Nr. 1.4301 Impeller: Composite, PES/PP</p> <p>Installation:</p> <p>Amb. max at 80 dgr C liquid: 80 °C Maximum operating pressure: 10 bar Pipe connection: G 1 1/4 Pressure rating: PN 10 Port-to-port length: 150 mm</p> <p>Electrical data:</p> <p>Power input in speed 1: 35 W Power input in speed 2: 60 W Max. power input: 90 W Mains frequency: 50 Hz Rated voltage: 1 x 240 V</p>



Company name:

Created by:

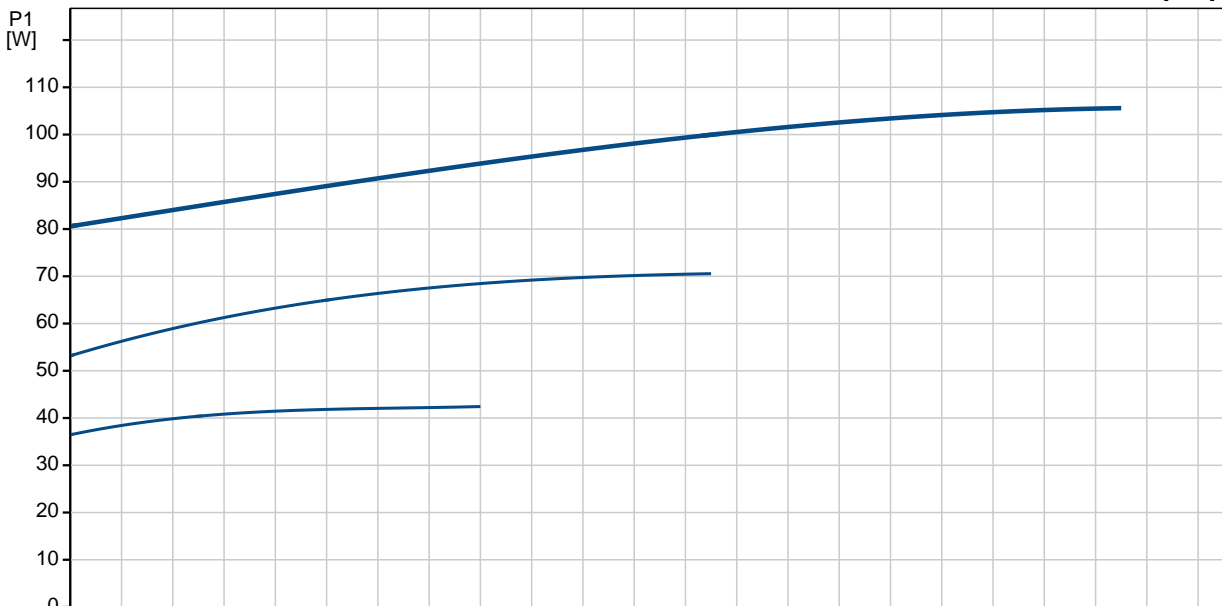
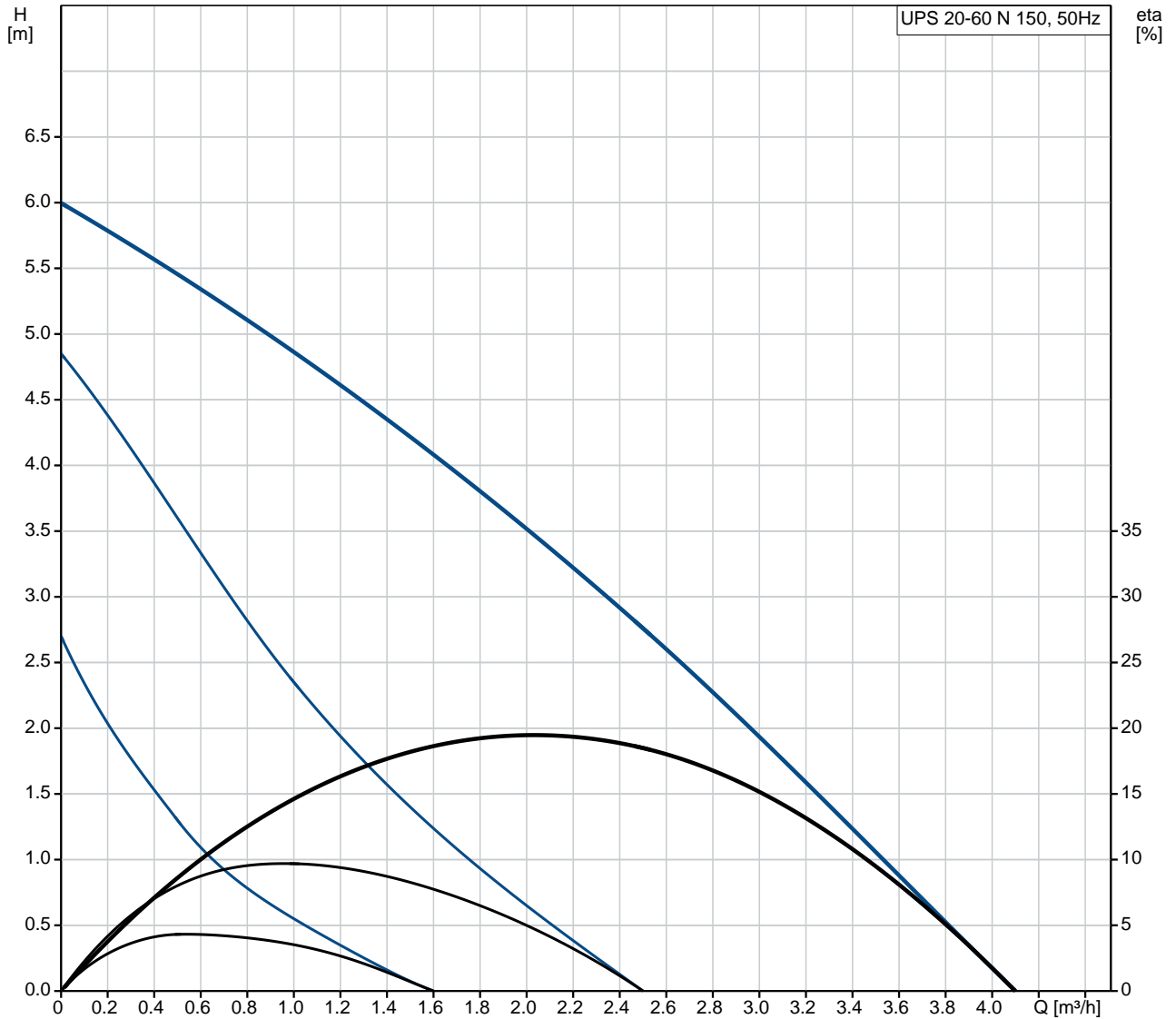
Phone:

Date:

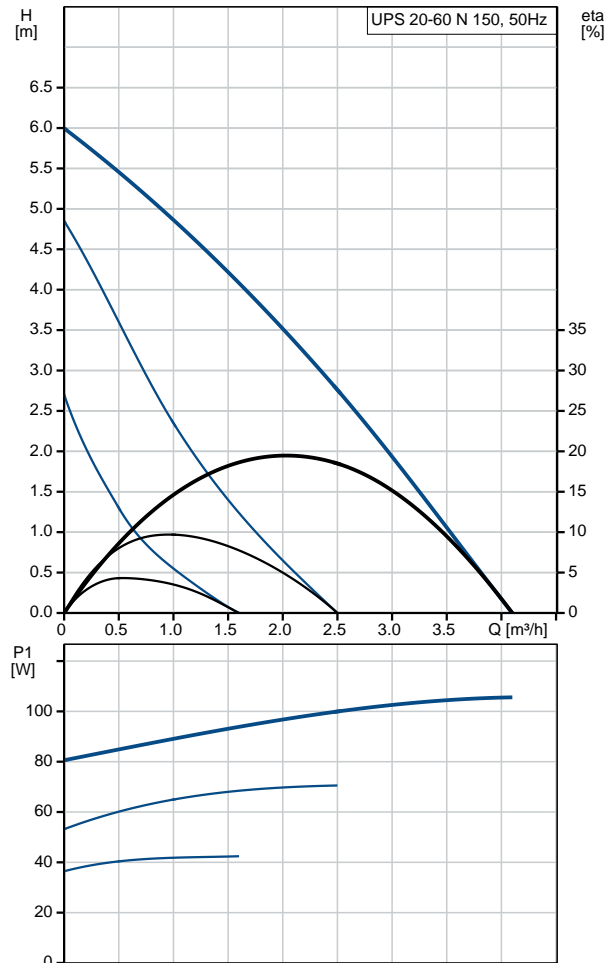
12/02/2018

Position	Qty.	Description
		Current in speed 1: 0.15 A Current in speed 2: 0.25 A Current in speed 3: 0.37 A Capacitor size - run: 2 μ F Enclosure class (IEC 34-5): IP44 Insulation class (IEC 85): H Others: Net weight: 2.8 kg Gross weight: 3 kg Shipping volume: 0.004 m ³

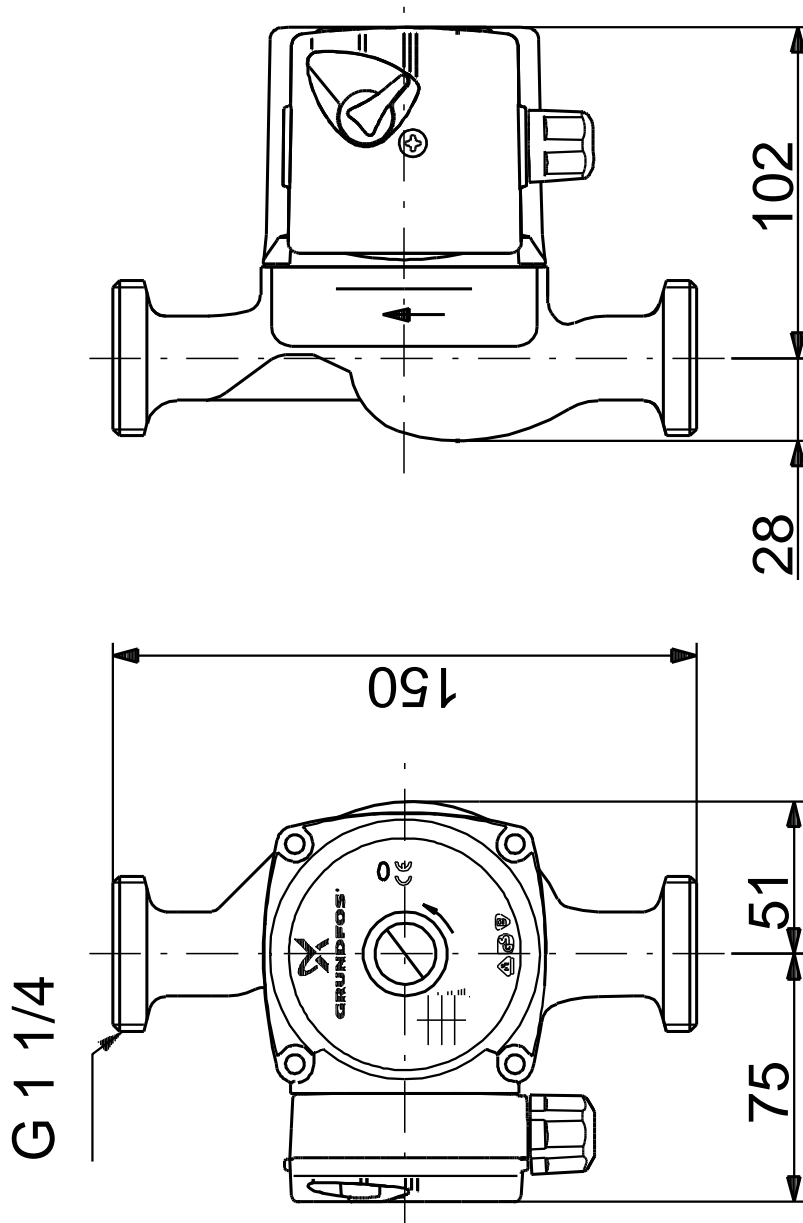
96913096 UPS 20-60 N 150 50 Hz



Description	Value
General information:	
Product name:	UPS 20-60 N 150
Product No:	96913096
EAN number:	5700313543779
Technical:	
Speed no:	3
Head max:	60 dm
TF class:	110
Approvals on nameplate:	CE,EAC
Materials:	
Pump housing:	Stainless steel
	DIN W.-Nr. 1.4301
Impeller:	Composite, PES/PP
Installation:	
Amb. max at 80 dgr C liquid:	80 °C
Maximum operating pressure:	10 bar
Pipe connection:	G 1 1/4
Pressure rating:	PN 10
Port-to-port length:	150 mm
Liquid:	
Pumped liquid:	Water
Liquid temperature range:	2 .. 110 °C
Liquid temperature during operation:	60 °C
Density:	983.2 kg/m ³
Electrical data:	
Power input in speed 1:	35 W
Power input in speed 2:	60 W
Max. power input:	90 W
Mains frequency:	50 Hz
Rated voltage:	1 x 240 V
Current in speed 1:	0.15 A
Current in speed 2:	0.25 A
Current in speed 3:	0.37 A
Capacitor size - run:	2 µF
Enclosure class (IEC 34-5):	IP44
Insulation class (IEC 85):	H
Motor protec:	NONE
Thermal protec:	Impedance protected
Controls:	
Pos term box:	9H
Others:	
Net weight:	2.8 kg
Gross weight:	3 kg
Shipping volume:	0.004 m ³



96913096 UPS 20-60 N 150 50 Hz



Note! All units are in [mm] unless others are stated.
Disclaimer: This simplified dimensional drawing does not show all details.